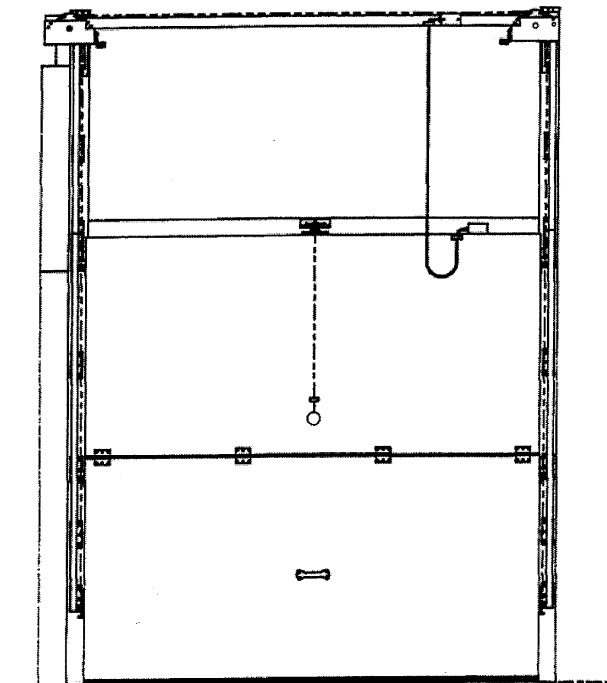


JAMISON

INSTALLATION INSTRUCTIONS FOR MARK IV VERTICAL SLIDING MANUAL SPLIT DOOR

AFTER INSTALLING DOOR FORWARD TO
MAINTENANCE DEPARTMENT OR OWNER



JAMISON DOOR COMPANY
P.O. BOX 70
HAGERSTOWN, MARYLAND 21741
USA

(1-800-532-3667)

INTERNET: <http://www.jamison-door.com>

E-MAIL: engineering@jamison-door.com

DJ-9032-20C
996512

CONTENTS

	PAGE
GENERAL I NFORMATION	3
MINIMUM CLEARANCES REQUIRED	4
CASING ERECTION	5
CASING ERECTION (SPECIAL FREEZER)	6
PLACING DOOR INTO TRACK	7
RIGGING DETAILS FOR COUNTERWEIGHT	8
COUNTERWEIGHT BOX ASSEMBLY	9
DOOR AND GASKET ADJUSTMENTS	10
PULL ROPE AND "FROSTOP" HOOK-UP	11

GENERAL INFORMATION:

A. CONTENTS OF CRATES AND CARTON

1. FRAME COMPONENT PARTS AND ASSEMBLIES SHIPPED KNOCKED-DOWN.

NOTE: IF FRAME HAS JAMBS, CASING AND JAMBS ARE SHIPPED IN SEPARATE CRATE.

2. ONE CRATE CONTAINING DOOR LEAVES WITH ALL COMPONENTS PARTS AND ASSEMBLIES ATTACHED.
3. ONE CARTON CONTAINING:
 - a. PACKING LIST ITEMS
 - b. INSTALLATION INSTRUCTIONS

B. INSPECT FOR DAMAGE AND SHORTAGE IMMEDIATELY

1. NOTE ON ALL COPIES OF DELIVERY RECEIPT ANY APPARENT DAMAGES AND SHORTAGES.
2. OPEN ALL SHIPPING CONTAINERS AND INSPECT FOR CONCEALED DAMAGES AND SHORTAGES. CAREFULLY REPACK TO PREVENT FURTHER DAMAGE AND PILFERAGE.
3. REPORT **WITHIN 15 DAYS** IN WRITING TO TRANSPORTATION COMPANY, WITH A COPY TO JAMISON DOOR, ANY CONCEALED DAMAGE AND SHORTAGES. AFTER 15 DAYS, THE LAW PERMITS THE TRANSPORTATION COMPANY TO REJECT ALL CLAIMS.

C. HANDLE ALL PARTS CAREFULLY

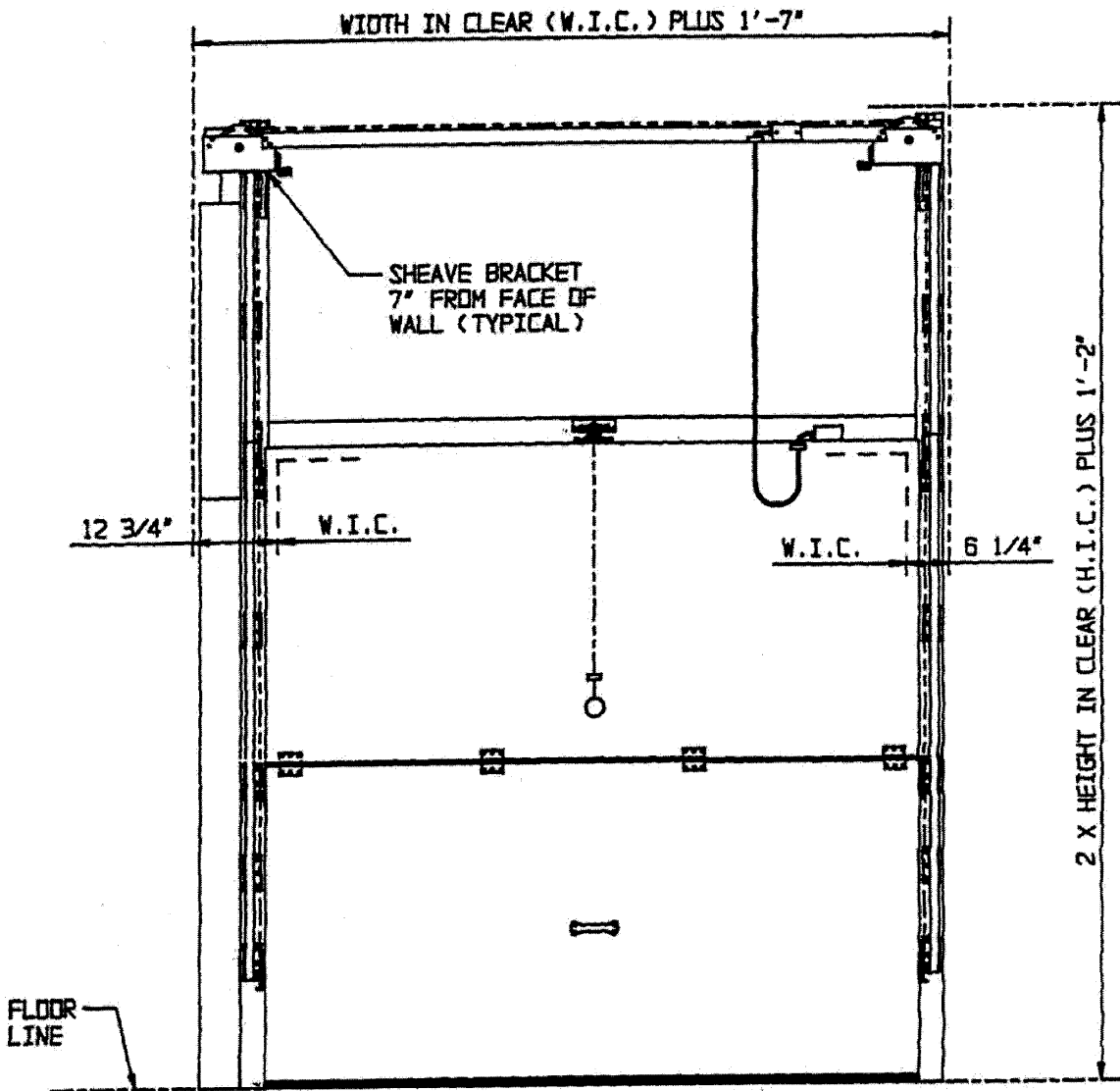
1. CERTAIN PARTS SUCH AS GASKET, ETC. ARE VULNERABLE.

D. READ ALL INSTRUCTIONS BEFORE PROCEEDING WITH ERECTION

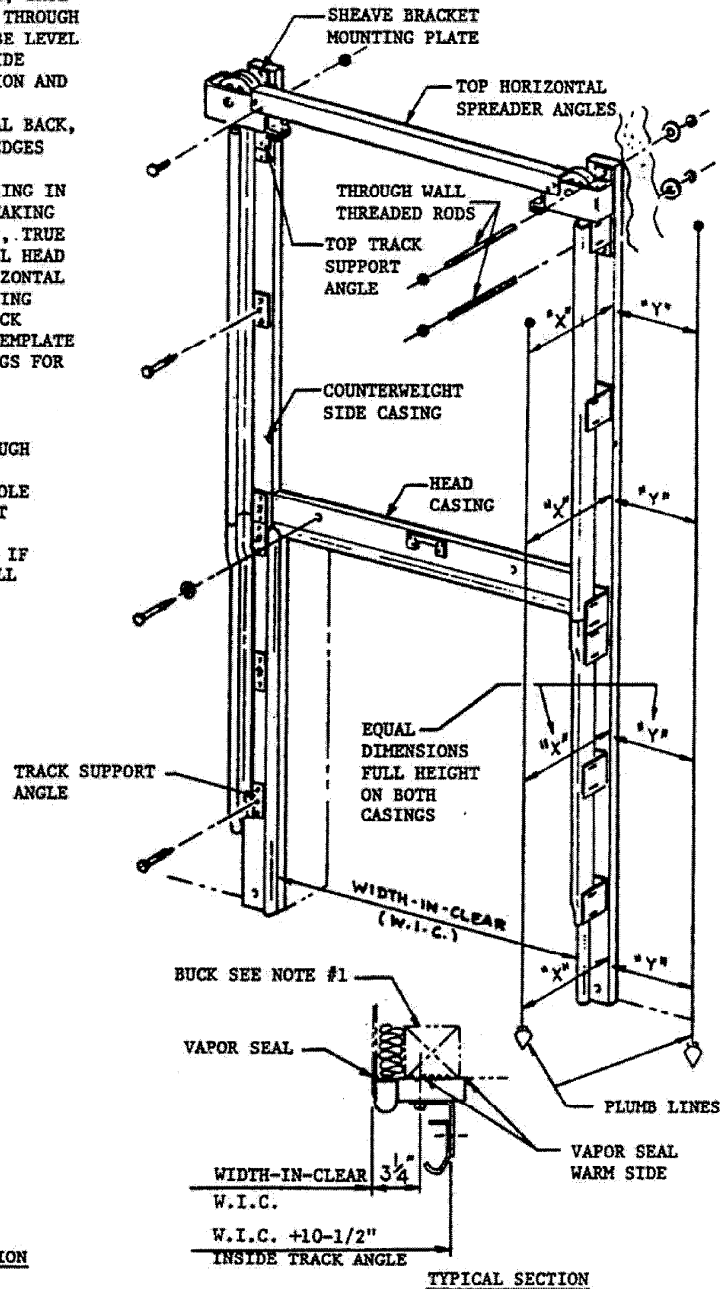
1. INSTRUCTIONS INCLUDE BASIC DRAWINGS FOR ALL DOORS TYPES.
2. USE DRAWINGS APPLICABLE TO YOUR DOOR.
3. REFER TO JOB DRAWINGS FOR SPECIAL FEATURES.

E. PLAN AHEAD

1. CHOOSE INSTALLERS WHO ARE MILLWRIGHTS OR HAVE EQUAL QUALIFICATIONS.
2. HAVE ALL TOOLS AND MATERIALS FOR INSTALLATION READILY AVAILABLE.

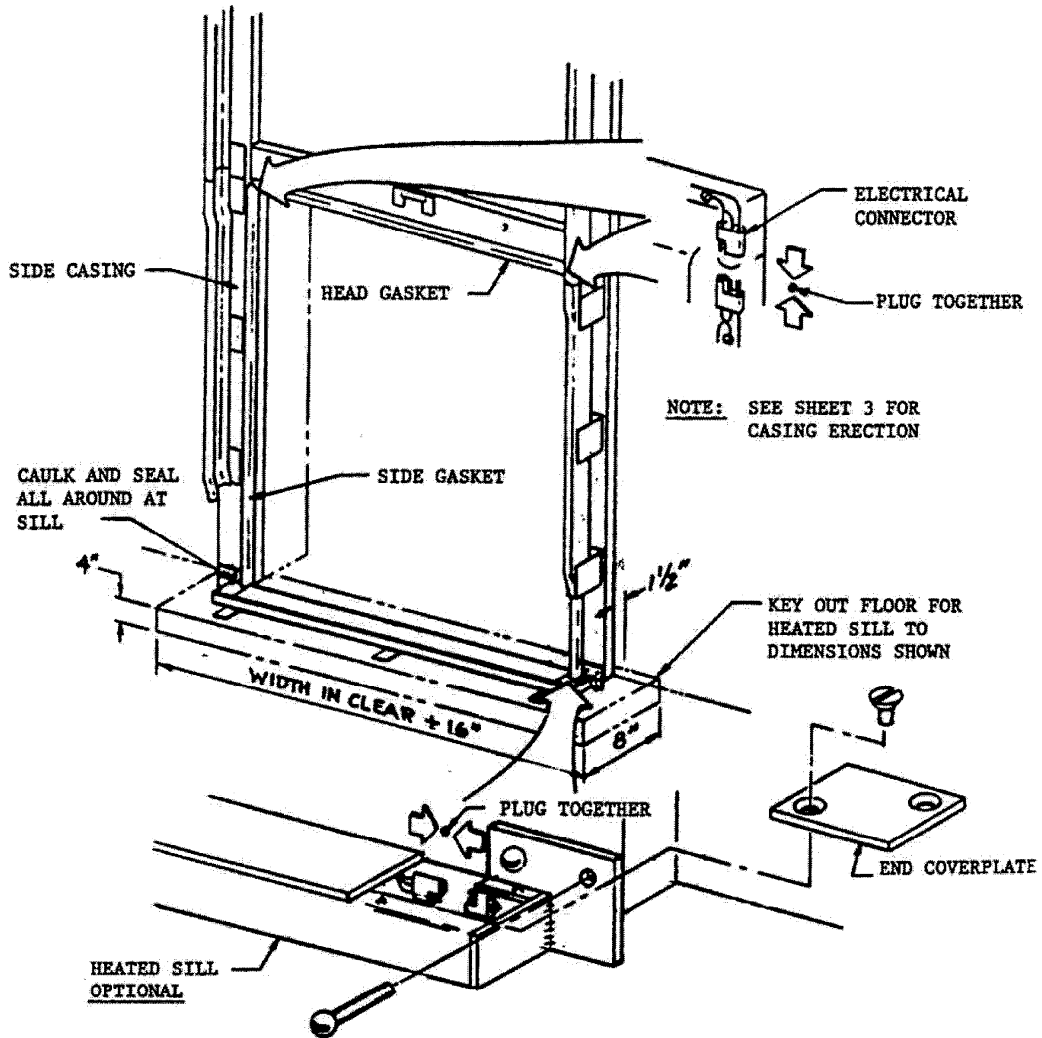


1. BUCKS MUST BE PLUMB, TRUE AND SQUARE. FLOOR THROUGH DOOR OPENING MUST BE LEVEL FULL WIDTH TO PROVIDE PROPER DOOR OPERATION AND GASKET SEAL.
2. CAULK AND VAPOR SEAL BACK, BOTTOM AND AROUND EDGES OF CASINGS.
3. BLOCK EACH SIDE CASING IN PLACE TEMPORARILY MAKING SURE THEY ARE PLUMB, TRUE AND SQUARE. INSTALL HEAD CASING AND TOP HORIZONTAL SPREADER ANGLE. USING CENTER HOLES IN TRACK SUPPORT ANGLES AS TEMPLATE DRILL THROUGH CASINGS FOR PROPER ATTACHMENT FASTENING.
4. BOLT SHEAVE BRACKET MOUNTING PLATE THROUGH WALL AT TOP OF EACH CASING AND CENTER HOLE OF TOP TRACK SUPPORT ANGLE.
5. RECHECK PLUMB, SHIM IF REQUIRED, TIGHTEN ALL FASTENINGS.



CASING ERECTION

TYPICAL SECTION



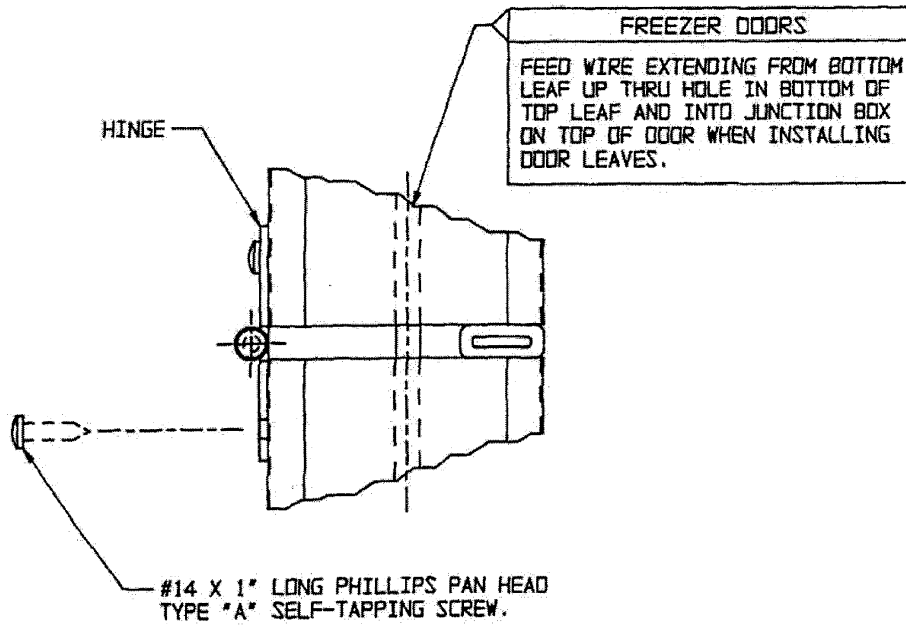
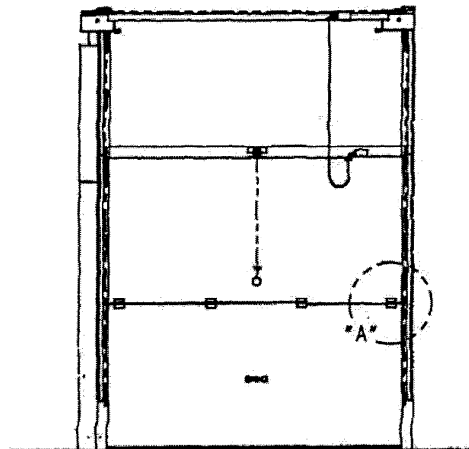
STEPS:

1. ATTACH HEATED SILL TO CASING WITH FASTENINGS PROVIDED. SILL ASSEMBLY MUST BE LEVEL AND TRUE FROM CASING TO CASING.
2. PLUG ELECTRICAL CONNECTOR TOGETHER AT FOUR CORNERS OF FRAME AS SHOWN.
3. INSTALL END COVERPLATES, CAULK AND SEAL TO EXCLUDE MOISTURE.
4. BRACE HEATED SILL SECURELY AND GROUT IN FINISHED CONCRETE FLOOR AROUND SILL.

CASING ERECTION (SPECIAL FREEZER)

STEPS:

1. TEMPORARILY REMOVE UPPER SECTION OF TRACK FROM TRACK BRACKETS.
2. LUBRICATE ROLLER SHAFTS AND INSERT ROLLERS INTO BRACKETS ON BOTTOM LEAF.
3. LIFT BOTTOM LEAF TO TOP OF VERTICAL TRACK, LOWER LEAF CAREFULLY TO FLOOR. INSTALL UPPER LEAF FOLLOWING SAME PROCEDURE LOWERING TO TOP OF LOWER LEAF.
4. ATTACH HINGE TO UPPER LEAF USING FACTORY DRILLED HOLES.
5. RE-INSTALL UPPER SECTION OF TRACK, ALIGNING WITH LOWER SECTION.
6. FREEZER DOOR ONLY SEE SHEET #9 FOR "FROSTOP" HOOK-UP.



DETAIL "A"

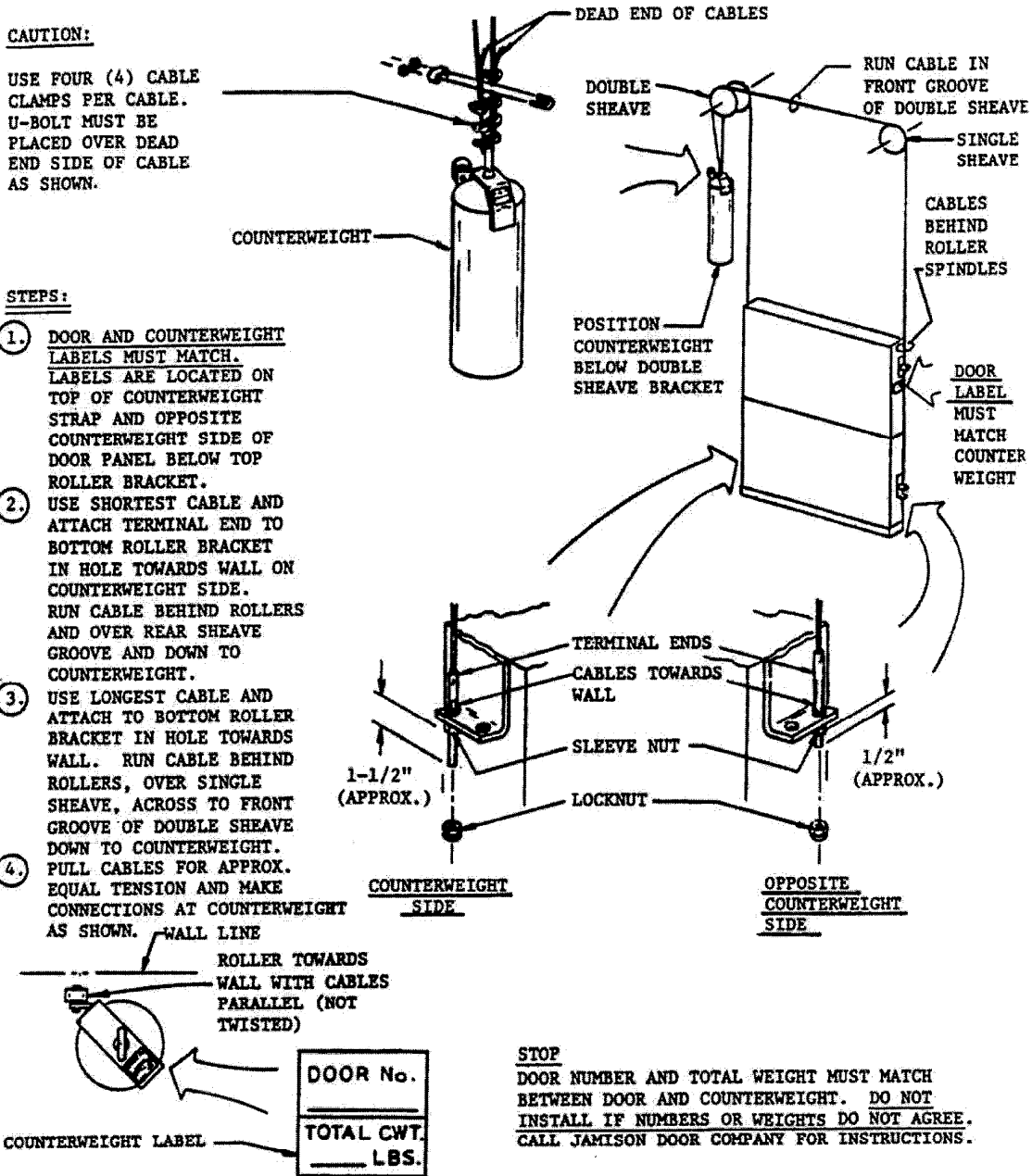
PLACING DOOR IN TRACK

CAUTION:

USE FOUR (4) CABLE CLAMPS PER CABLE. U-BOLT MUST BE PLACED OVER DEAD END OF CABLE AS SHOWN.

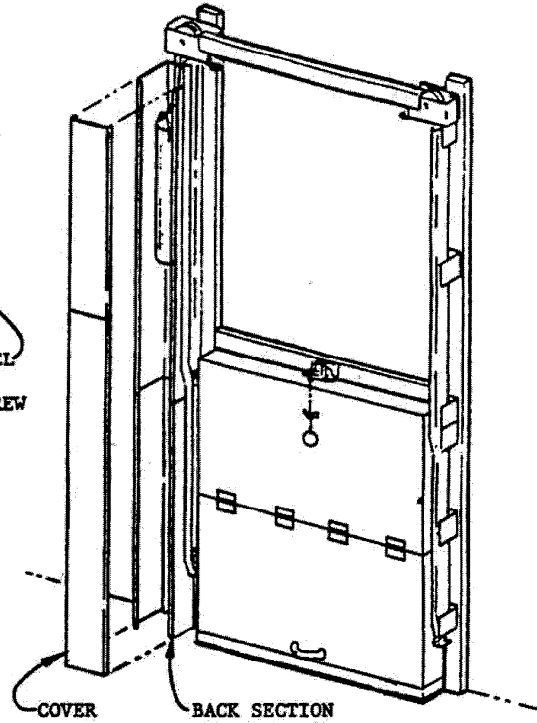
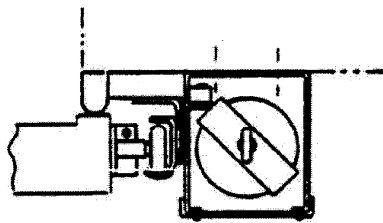
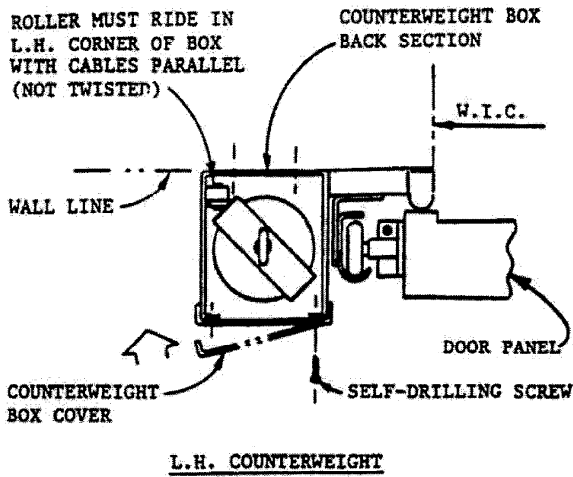
STEPS:

1. DOOR AND COUNTERWEIGHT LABELS MUST MATCH. LABELS ARE LOCATED ON TOP OF COUNTERWEIGHT STRAP AND OPPOSITE COUNTERWEIGHT SIDE OF DOOR PANEL BELOW TOP ROLLER BRACKET.
2. USE SHORTEST CABLE AND ATTACH TERMINAL END TO BOTTOM ROLLER BRACKET IN HOLE TOWARDS WALL ON COUNTERWEIGHT SIDE. RUN CABLE BEHIND ROLLERS AND OVER REAR SHEAVE GROOVE AND DOWN TO COUNTERWEIGHT.
3. USE LONGEST CABLE AND ATTACH TO BOTTOM ROLLER BRACKET IN HOLE TOWARDS WALL. RUN CABLE BEHIND ROLLERS, OVER SINGLE SHEAVE, ACROSS TO FRONT GROOVE OF DOUBLE SHEAVE DOWN TO COUNTERWEIGHT. PULL CABLES FOR APPROX. EQUAL TENSION AND MAKE CONNECTIONS AT COUNTERWEIGHT AS SHOWN.



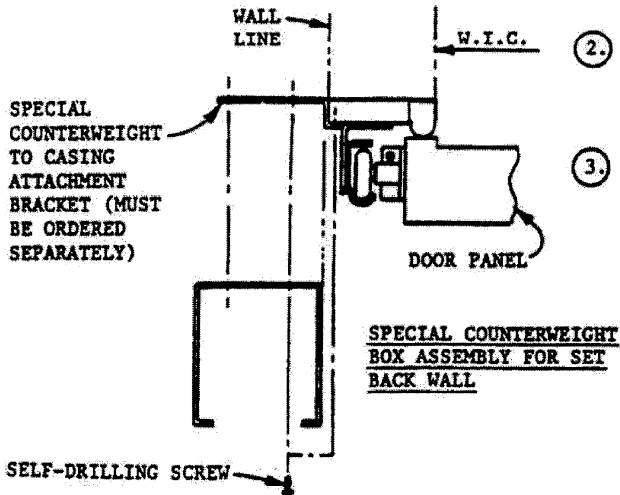
STOP
 DOOR NUMBER AND TOTAL WEIGHT MUST MATCH BETWEEN DOOR AND COUNTERWEIGHT. **DO NOT** INSTALL IF NUMBERS OR WEIGHTS DO NOT AGREE. CALL JAMISON DOOR COMPANY FOR INSTRUCTIONS.

RIGGING DETAILS FOR L.H. COUNTERWEIGHT - R.H. COUNTERWEIGHT OPPOSITE



STEPS:

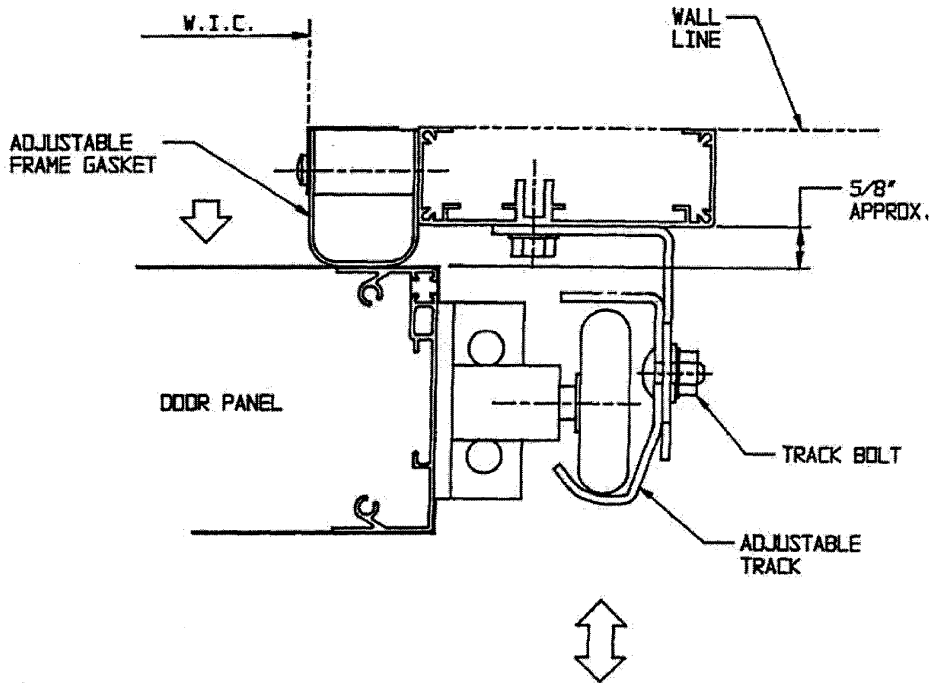
1. COUNTERWEIGHT ROLLER MUST RIDE IN L.H. CORNER OF COUNTERWEIGHT BOX, L.H. OR R.H. COUNTERWEIGHT DOORS. CABLES MUST NOT TWIST.
2. ATTACH COUNTERWEIGHT BOX BACK SECTIONS TO WALL OR SPECIAL CASING BRACKET USING #8 X 1/2" LG. SELF-DRILLING SCREWS. USE SHORT SECTION AT BOTTOM.
3. ATTACH BOX COVER LONG SECTION AT BOTTOM WITH #8 X 1/2" LG. SELF-DRILLING SCREWS.



COUNTERWEIGHT BOX ASSEMBLY

STEPS:

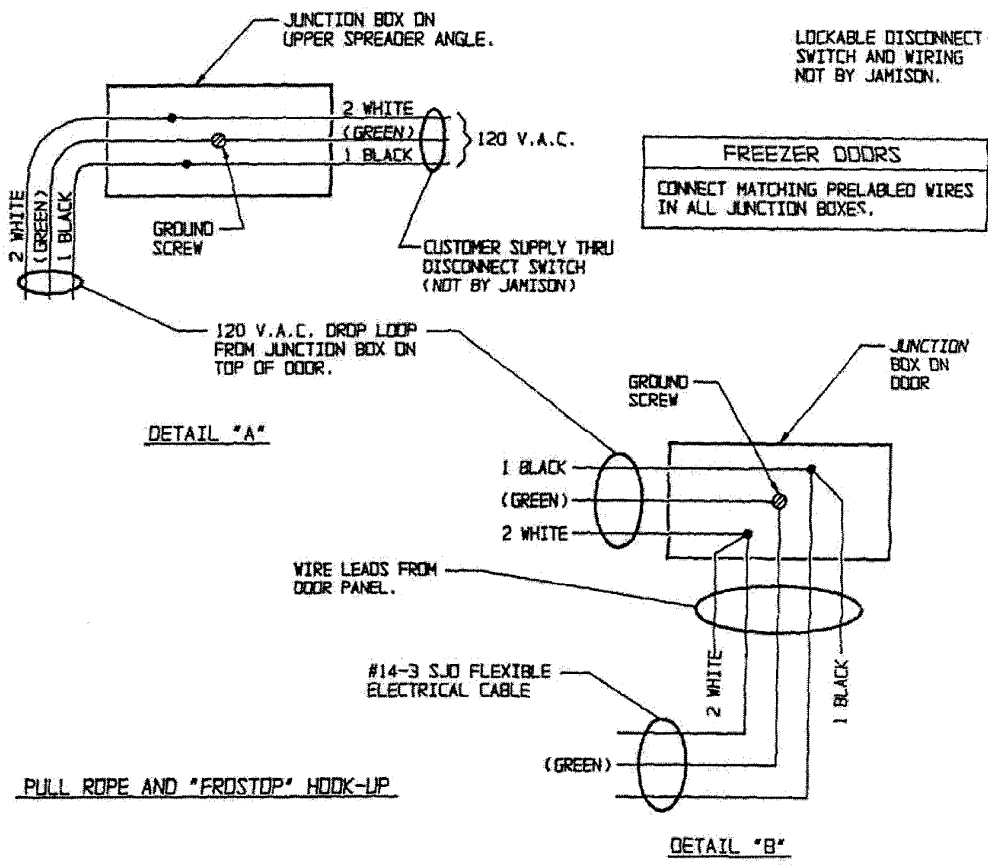
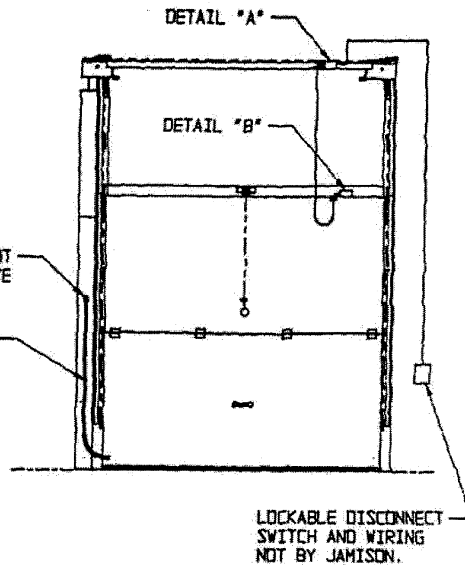
1. OPERATE DOOR MANUALLY TO CHECK FOR ANY BINDING OR ALIGNMENT PROBLEMS.
2. ADJUST DOOR FOR PROPER GASKET SEAL. LOOSEN TRACK FASTENINGS AND MOVE TRACK IN OR OUT AS REQUIRED TO ACHIEVE A GOOD GASKET SEAL. TIGHTEN ALL TRACK FASTENINGS, ADJUST FRAME GASKET IF REQUIRED.
3. ADJUST CABLE TERMINAL ENDS IF NECESSARY TO ACHIEVE A GASKET SEAL ACROSS SILL. SEE PAGE #6.



DOOR AND GASKET ADJUSTMENTS

STEPS:

1. TIE PULL ROPE TO COUNTERWEIGHT BOX STAPLE EYE AND DOOR PANEL EYE AS SHOWN.
2. FREEZER DOOR ONLY CONNECT 120 VOLT AC POWER SOURCE THROUGH LOCKABLE DISCONNECT SWITCH LOCATED AT AN ACCESSIBLE LOCATION.
3. LUBRICATE ALL MOVING PARTS OF HARDWARE PERIODICALLY (AS FREQUENTLY AS REQUIRED FOR FRICTION-FREE OPERATION).



**Mark IV Vertical Sliding Manual
Split Door
Miscellaneous Parts Application**

Application	Item
Attaching frame to panel wall	<ul style="list-style-type: none"> ▪ Bags of carriage bolts w/washers and nuts, or ▪ Lag screws, or ▪ 3/8 x 16UN threaded rod
Attaching spreader angle to sheave brackets and lower spreader angle to mounting brackets	<ul style="list-style-type: none"> ▪ 3/8-16UN x 1-1/4 long hex head machine bolt ▪ 3/8-16UN locknut
Attaching counterweight box to wall and cover to counterweight box	<ul style="list-style-type: none"> ▪ #8-18UN x 1/2 self drilling SST Phillips head screws
Spare track fasteners	<ul style="list-style-type: none"> ▪ 5/16-18UN x3/4 hi-tensile oval head carriage bolt ▪ 11/16 x 11/32 x 16ga. flat steel washer ▪ 5/16 dia. shakeproof lockwasher ▪ 5/16-18UN heavy hex nut
Locking top latch keeper to the head casing	<ul style="list-style-type: none"> ▪ 1/4-20UN x 1 hex washer head thread forming screw (galv.)
Attaching hinges to top leaf	<ul style="list-style-type: none"> ▪ 1/4 x 5/8 hex washer head self-tapping screws (galv.)